



تامین کننده تجهیزات بازرسی فنی  
کنترل کیفیت در ایران  
**کاوشکاران**  
[www.IR-QC.com](http://www.IR-QC.com)  
تلفن: ۰۲۱ - ۸۸۶۸ ۵۲۹۷

## Features

### Various Lengths

- Outfit the Pit Gage with 2 or 4 extension arms.

### Rotating Face

- Pivot the display 360° to accommodate inverted pit measurement.

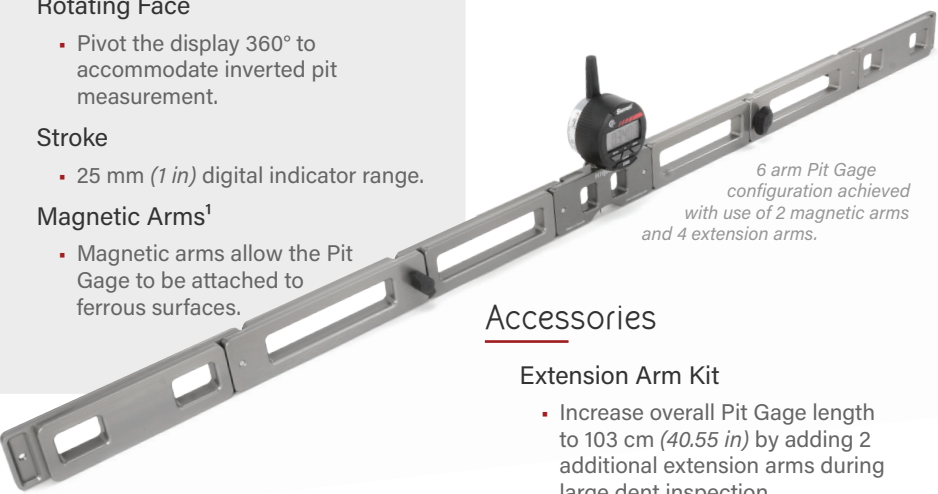
### Stroke

- 25 mm (1 in) digital indicator range.

### Magnetic Arms<sup>1</sup>

- Magnetic arms allow the Pit Gage to be attached to ferrous surfaces.

Pit gage configured using 2 extension arms and 2 magnetic extension arms. Digital display rotated 180° while magnetic arms are activated.



6 arm Pit Gage configuration achieved with use of 2 magnetic arms and 4 extension arms.

## Kit Contents

### Standard Kit Contents

- Digital Indicator<sup>2</sup>
- Centre Base
- Blind Side Base
- Extension Arms
- Indicator Tip<sup>3</sup>
- Rugged Carrying Case
- User Manual



Two arm Pit Gage configuration

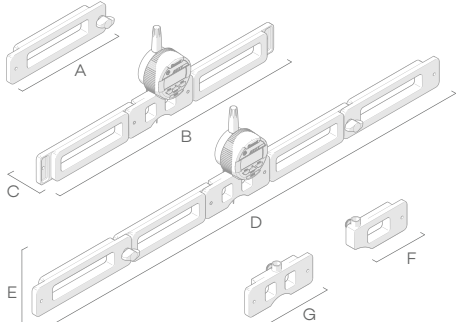
## Weight and Dimensions

### Shipping Weight

- 2 arm kit: 1.17 kg (2.6 lb)
- 4 arm kit: 1.54 kg (3.4 lb)

### Dimensions

- A: 17.59 cm (6.93 in)
- B: 42.03 cm (16.55 in)
- C: 5.81 cm (2.29 in)
- D: 72.52 cm (28.55 in)
- E: 15.04 cm (5.92 in)
- F: 9.53 cm (3.75 in)
- G: 11.56 cm (4.55 in)



## Accessories

### Extension Arm Kit

- Increase overall Pit Gage length to 103 cm (40.55 in) by adding 2 additional extension arms during large dent inspection.



### Magnetic Arm Kit

- Arms with variable magnetic attraction provide ease of use during inverted inspection applications as well as increasing the overall length of the pit gage which allows measurement over a broad range.



## Additional Features

### Small Diameter Inspection

- A small radius along the bottom of the gage accommodates small diameters.

### Waterproof

- Rated to IP67.

### Warranty

- Three year warranty on all Jireh products<sup>4</sup>.



Four arm Pit Gage kit

## Specifications

### Digital Indicator, Range

- 0 - 25 mm (0 - 1 in)

### Digital Indicator, Resolution

- 0.01 mm (0.005 in)

### Digital Indicator, Stem Diameter

- 9.52 mm (0.375 in)

### Battery Requirements

- 2 - CR2032 lithium coin cells<sup>2</sup>

### Inspection Surface

- Ferrous or non-ferrous materials

## Environmental Specifications

### Operating Environment

- -10° C (14° F) to 50° C (122° F)

### Environmental Sealing

- Dust tight, waterproof<sup>3</sup>



Blind side base paired with a single extension arm

1. Magnetic arms optional.  
2. Batteries included.  
3. 2 Indicator tips included.  
4. Limited warranty, conditions apply.